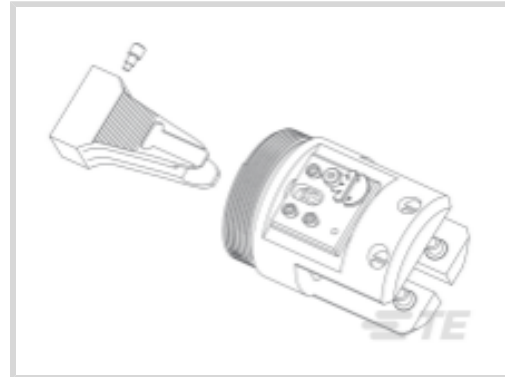




Application Tooling > Hand Crimping Tools



Tooling Type: **Adaptor Assembly**

Features

Other

Tooling Type	Adaptor Assembly
--------------	------------------

Product Compliance

[For compliance documentation, visit the product page on TE.com>](#)

EU RoHS Directive 2011/65/EU	Out of Scope
EU ELV Directive 2000/53/EC	Out of Scope
China RoHS 2 Directive MIIT Order No 32, 2016	Not reviewed for China RoHS compliance
EU REACH Regulation (EC) No. 1907/2006	Current ECHA Candidate List: JUNE 2022 (224) Candidate List Declared Against: JUL 2021 (219) Does not contain REACH SVHC
Halogen Content	Low Halogen - Br, Cl, F, I < 900 ppm per homogenous material. Also BFR/CFR/PVC Free
Solder Process Capability	Not applicable for solder process capability

Product Compliance Disclaimer

This information is provided based on reasonable inquiry of our suppliers and represents our current actual knowledge based on the information they provided. This information is subject to change. The part numbers that TE has identified as EU RoHS compliant have a maximum concentration of 0.1% by weight in homogenous materials for lead, hexavalent chromium, mercury, PBB, PBDE, DBP, BBP, DEHP, DIBP, and 0.01% for cadmium, or qualify for an exemption to these limits as defined in the Annexes of Directive 2011/65/EU (RoHS2). Finished electrical and electronic equipment products will be CE marked as required by Directive 2011/65/EU. Components may not be CE marked. Additionally, the part numbers that TE has identified as EU ELV compliant have a maximum concentration of 0.1% by weight in homogenous materials for lead, hexavalent chromium, and mercury, and 0.01% for cadmium, or qualify for an exemption to these limits as defined in the Annexes of Directive 2000/53/EC (ELV). Regarding the REACH Regulation, the information TE provides on SVHC in articles for this part number is based on the latest European Chemicals Agency (ECHA) 'Guidance on requirements for substances in articles' posted at this URL: <https://echa.europa.eu/guidance-documents/guidance-on-reach>

Compatible Parts



TE Part # CAT-AM71-A17
POWERBAND Contacts



TE Part # 202422-1
PIN CONT ASSY,TYPE I



TE Part # 66259-2
MALE CONTACT ASSY. (L.P.)



TE Part # 66740-8
TYPE XII FEMALE CONT (L.P.)



TE Part # 66261-1
MALE CONTACT ASSY. (L.P.)



TE Part # 66741-2
TYPE XII FEMALE CONT (L.P.)



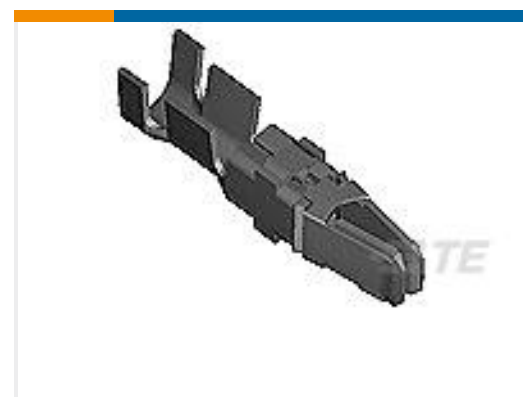
TE Part # 66259-4
MALE CONTACT ASSY. (L.P.)



TE Part # 66261-4
MALE CONTACT ASSY. (L.P.)



TE Part # 66261-2
MALE CONTACT ASSY. (L.P.)



TE Part # 66740-2
TYPE XII FEMALE CONT (L.P.)



TE Part # 66740-6
TYPE XII FEMALE CONT (L.P.)



TE Part # 2-66740-1
TYPE XII FEMALE CONT (LP)



TE Part # 66741-6
TYPE XII FEMALE CONT (L.P.)



TE Part # 66261-5
MALE CONTACT ASSY. (L.P.)



TE Part # 66741-8
TYPE XII FEMALE CONT (L.P.)



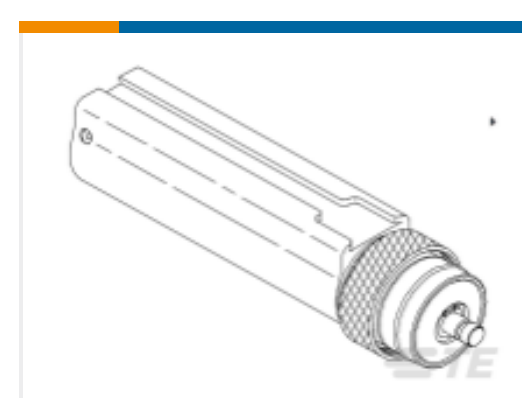
TE Part # 1-332057-0
FERRULE COAXICON SUB-MIN



TE Part # 2-66741-1
TYPE XII FEMALE CONT (L.P.)



TE Part # 66259-5
MALE CONTACT ASSY. (L.P.)



TE Part # 189721-1
HAND NON-LOGIC POWER UNIT



TE Part # 189722-1
FOOT NON-LOGIC POWER UNIT

Documents



Datasheets & Catalog Pages

Bottoming Dies

English

Instruction Sheets

Instruction Sheet (U.S.)

English

Instruction Sheet (U.S.)

German